



# **PART'S MANUAL**

**SF12**

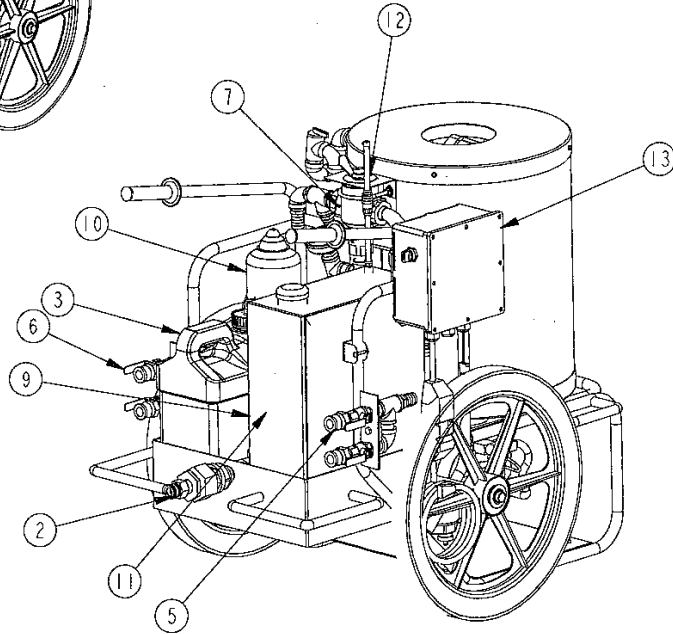
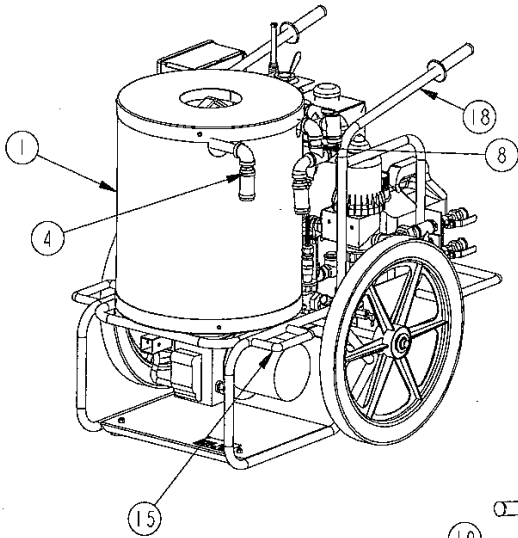
**HI VOLUME WATER HEATER**

**MODEL SF12**

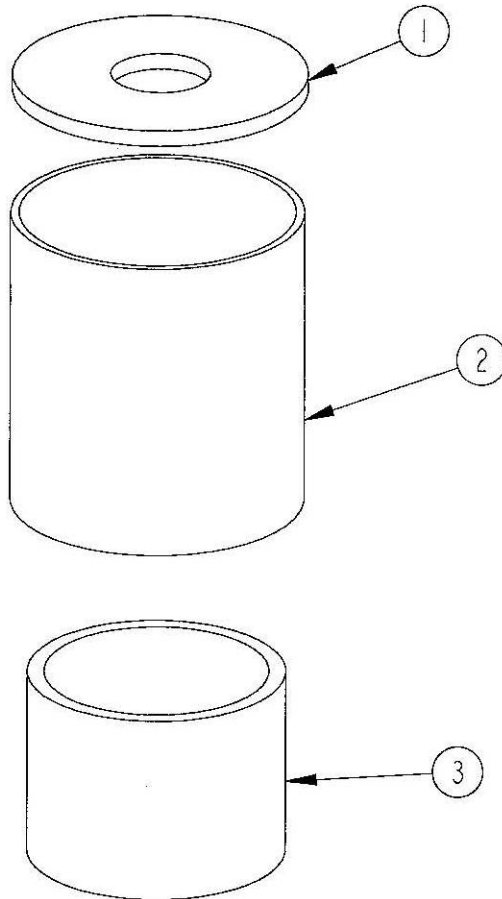
**WATER HEATER / SF12  
120V W/INJ., METAL FUEL TANK**

ITEM	PART DESCRIPTION	PART / DRAWER
1	Heat Chamber Assembly	BTV1-0032
2	Fire Hose Connect Assembly	ETV1-0002
3	Chemical Tank Assembly	ETV1-0011
4	Coil Inlet Assembly	ETV1-0012
5	Water Outlet, Rinse	ETV1-0014
6	Water Outlet, Wash	ETV1-0015
7	Mixing Valve Assembly	ETV1-0019
8	Coil Outlet Assembly	ETV1-0023
9	Water Inlet Assembly	ETV1-0024
10	Injector Assembly	ETV1-0036
11	Fuel Tank Assembly	ETV1-0009-2
12	Handle	ETV1-0063-1
13	Control Box Assembly	FTV1-0001
14	Wiring Diagram	FTV1-0002
15	Burner Assembly	GTV1-0002
16	Decal Assembly	ITV1-0001
17	Packaging Assembly	JTV1-0001
18	Machine Sub-Assembly	XTV1-0004

NOTE: SOME ITEMS NOT SHOWN FOR CLARITY

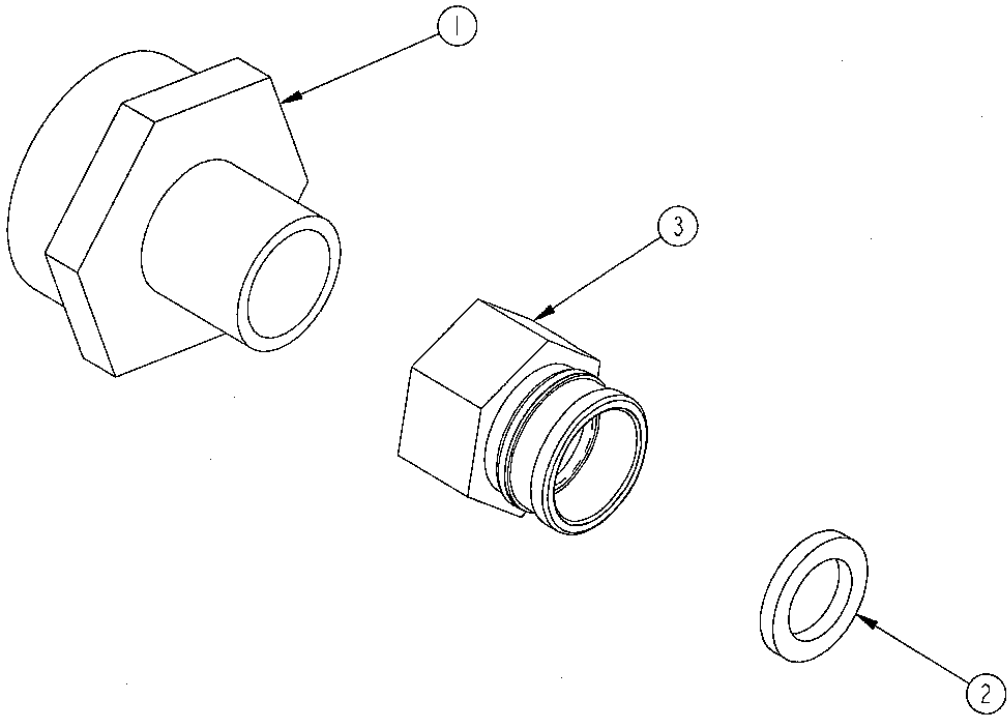


INSULATION PKG. / SF12		
ITEM	PART DESCRIPTION	PART / DRAWER
1	Stack Head Ring	H01-0002
2	Insulation Blanket	HTV1-0002
3	Insulation Bucket	101-0349



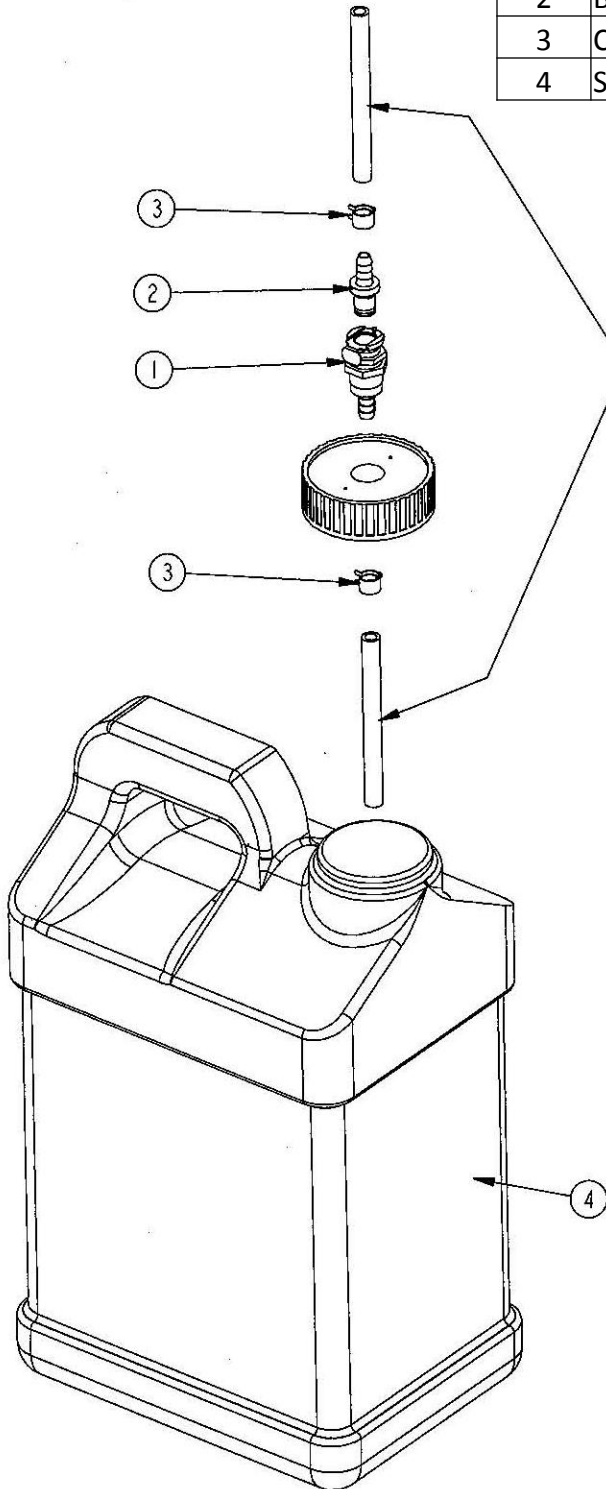
**FIRE HOSE CONNECT ASSEMBLY / SF12**

<b>ITEM</b>	<b>PART DESCRIPTION</b>	<b>PART / DRAWER</b>
1	Nipple, Reducing 1 1/2 x 3/4	01-301101
2	Hose Washe, 3/4"	01-401020
3	Garden Hose Adapter 3/4" GHT	01-401101

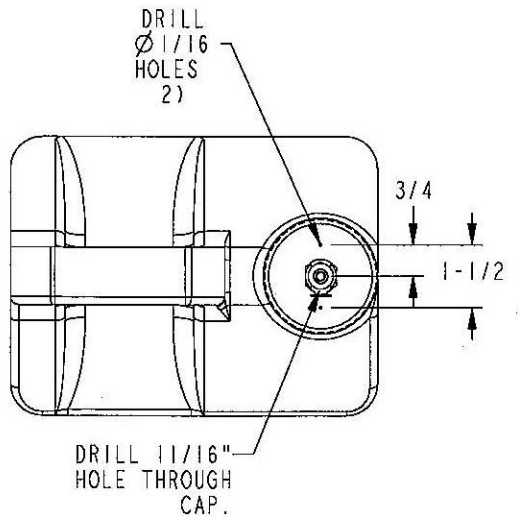


## CHEMICAL TANK ASSEMBLY SF12 / SF12-A

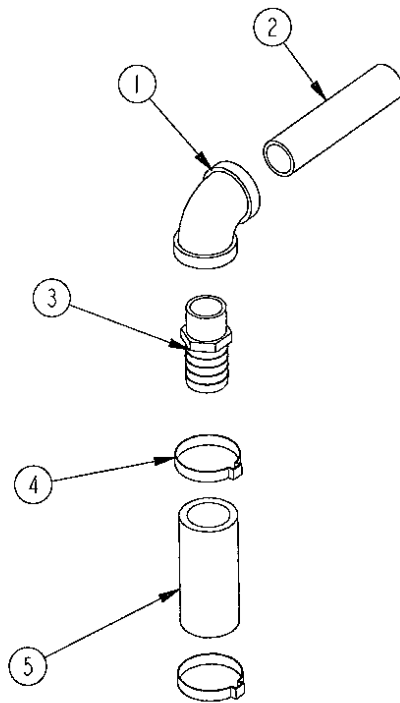
ITEM	PART DESCRIPTION	PART / DRAWER
1	Coupling Body (BTM)	01-410120
2	Barb Insert (TOP)	01-410121
3	Clamp	01-451000
4	Solution Tank, 2 1/2 Gal. w/Cap	29-131111



CUT (2) SEPARATE HOSE LENGTHS FROM CHEMICAL INJECTOR (SUPPLIED) AND INSTALL HERE (18" IN TANK & 32" OUTSIDE)

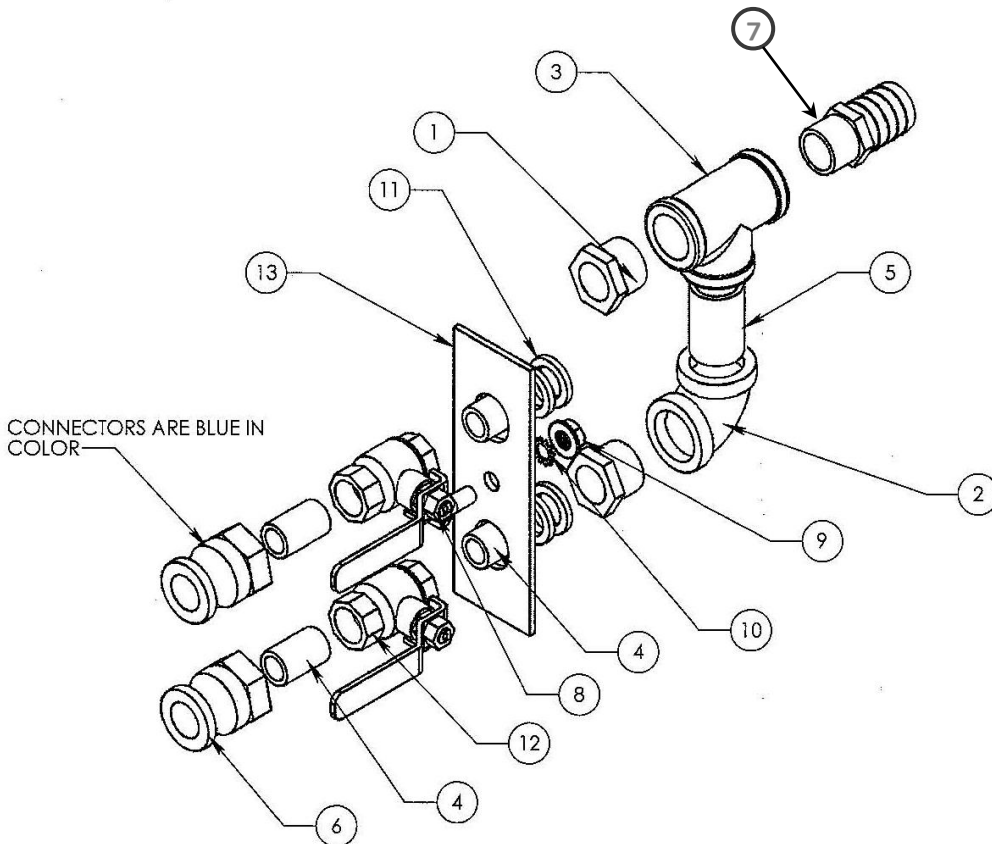
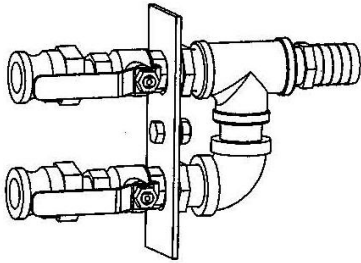


COIL INLET ASSEMBLY SF12		
ITEM	PART DESCRIPTION	PART / DRAWER
1	Elbow 3/4 x 90 Deg Bronze	01-111406
2	Nipple, 3/4 x 4 Bronze	01-291702
3	Hose Barb 3/4 x 3/4	01-411801
4	Clamp: Oetiker, for 1" Hose	01-451205
5	Hose, 1" Multi-Purpose	2231-26



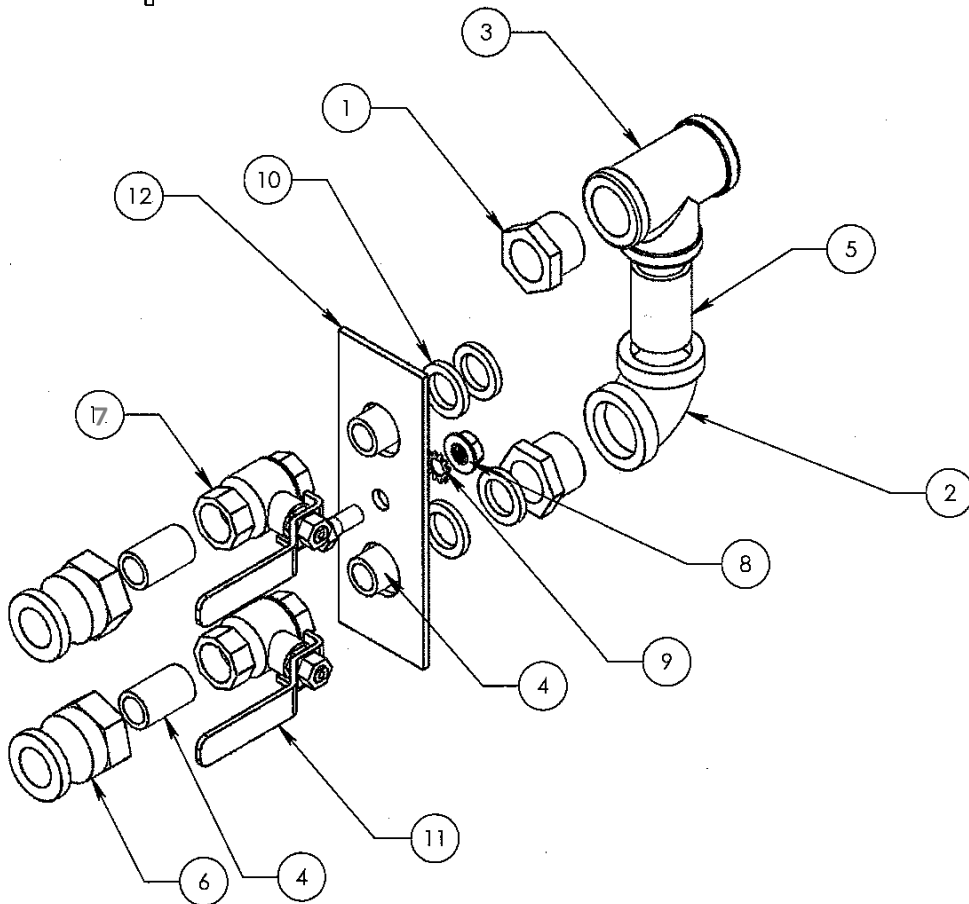
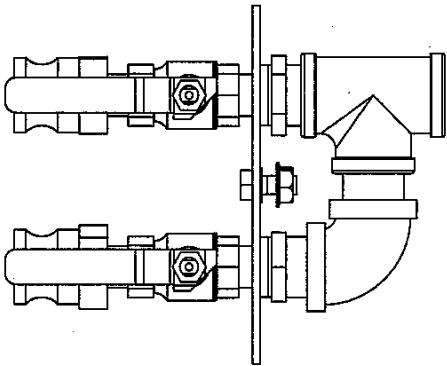
**WASH ASSEMBLY (BLUE)  
SF12**

ITEM	PART DESCRIPTION	PART / DRAWER
1	Bushing 3/4" x 1/2" Bronze	01-101906
2	Elbow 3/4" x 90 Deg Bronze	01-111406
3	Tee, 3/4" Bronze	01-161406
4	Nipple, 1/2" Close, Bronze	01-281002
5	Nipple	01-291102
6	Cam Lock Connector Blue	01-410107
7	Hose Barb 3/4" x 1"	01-411801
8	Capscrew: Zinc 5/16 x 3/4	02-121100
9	5/16-18 Zinc Serrated Nut	02-301200
10	Washer 5/16" Star	02-501202
11	EPDM Washer	02-550100
12	Ball Valve 1/2" Forged	05-201105
13	Outlet Plate	BTV1-0012



**WASH ASSEMBLY (RED)  
SF12**

ITEM	PART DESCRIPTION	PART / DRAWER
1	Bushing 3/4" x 1/2 Bronze	01-101906
2	Elbow 3/4" x 90 Deg Bronze	01-111406
3	Tee, 3/4 Bronze	01-161406
4	Nipple, 1/2" Close, Bronze	01-281002
5	Nipple	01-291102
6	Cam Lock Connector Red	01-410106
7	Capscrew: Zinc 5//16 x 3/4	02-121100
8	5/16-18 Zinc Serrated Nut	02-301200
9	Washer 5/16" Star	02-501202
10	EPDM Washer	02-550100
11	Ball Valve 1/2" Forged	05-201105
12	Outlet Plate	BTV1-0012



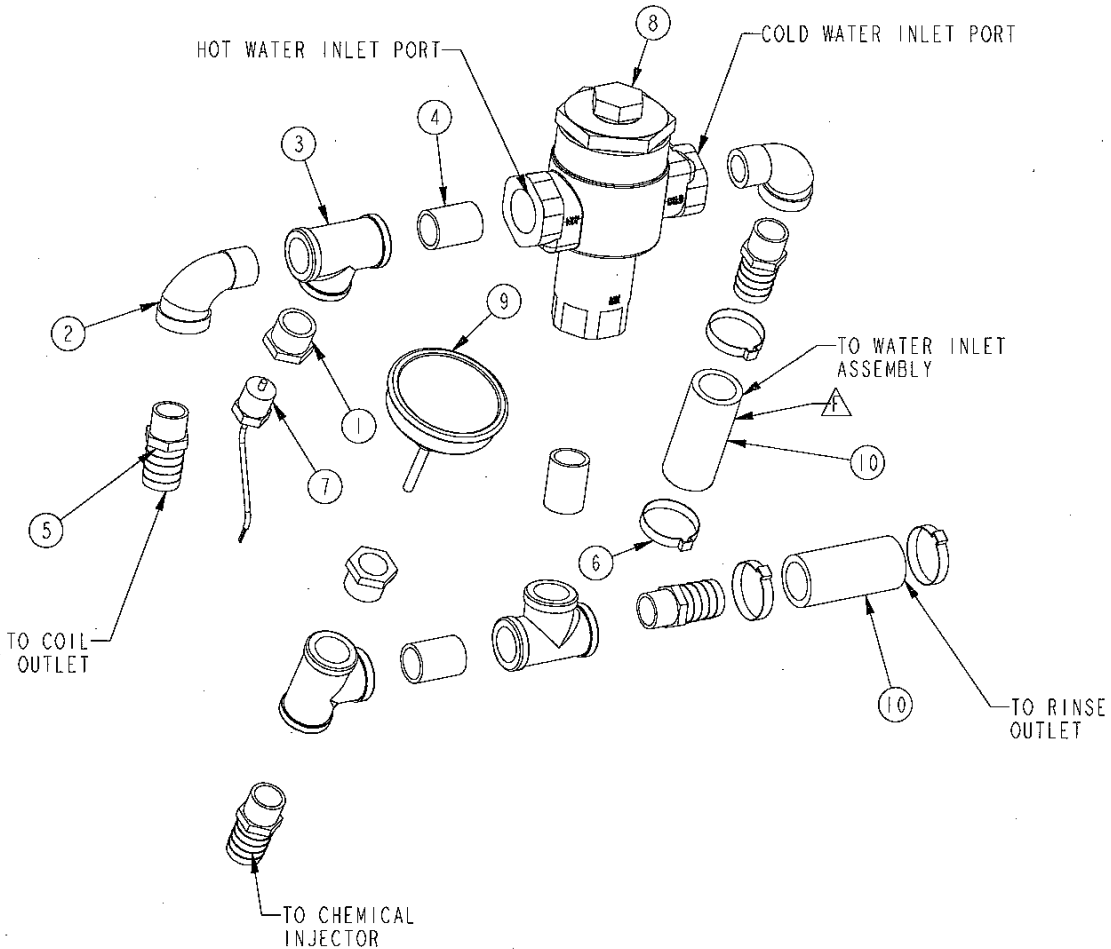
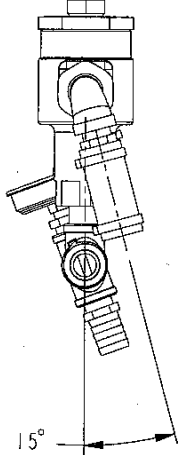
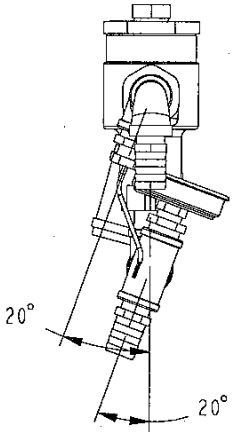


**MIXING VALVE ASSEMBLY  
NEW VALVE / SF12**

ITEM	PART DESCRIPTION	PART / DRAWER
1	Bushing 3/4 x 1/2 Bronze	01-101906
2	Elbow St 3/4 x 90 Bronze	01-131406
3	Tee, 3/4 Close, Bronze	01-161406
4	Nipple, 3/4 Close, Bronze	01-291000
5	Hose Barb 3/4 x 3/4	01-411801
6	Clamp: Oetiker, for 1" Hose	01-451205
7	Thermocouple, Type J	03-332000
8	Cobraco Mixing Valve 3/4"	05-121903
9	Thermometer 1/2" w/3" Dial	05-501225
10	Hose, 1" Multi-Purpose	2231-16

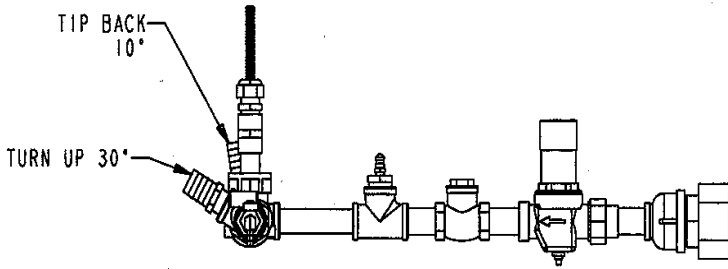
HOT INLET SIDE

COLD INLET SIDE

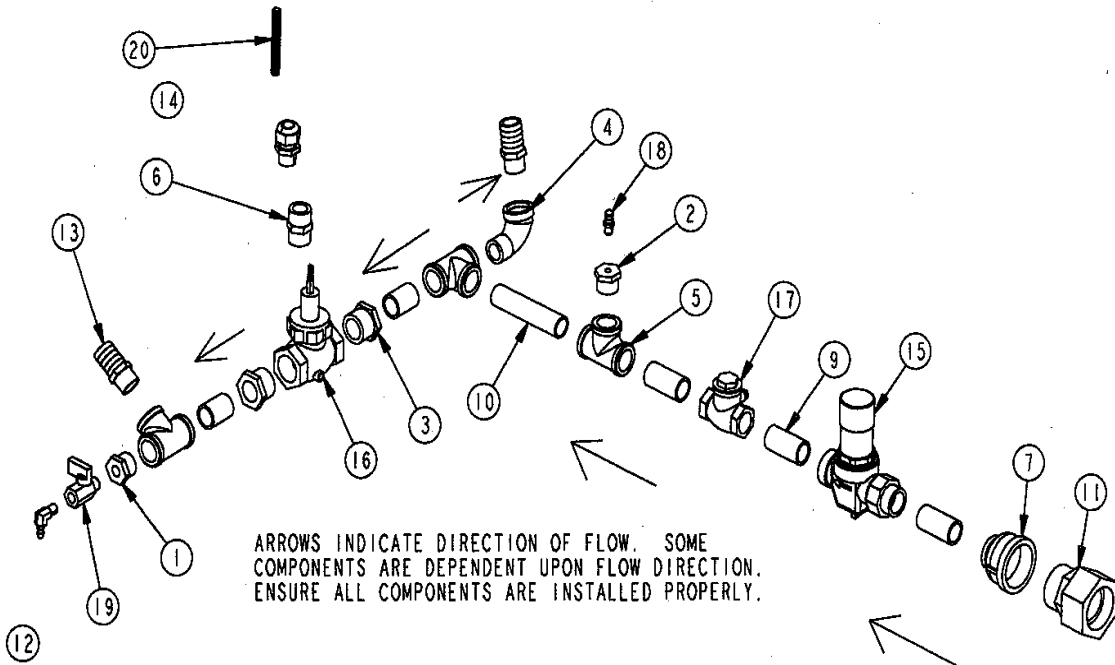


**WATER INLET ASSEMBLY / SF12**

ITEM	PART DESCRIPTION	PART / DRAWER
1	Bushing 3/4" x 1/4 Bronze	01-101900
2	Bushing 3/4" x 1/8 Bronze	01-101904
3	Bushing 1 x 3/4 Bronze	01-102006
4	Elbow St 3/4 x 90 Bronze	01-131406
5	Tee, 3/4 Bronze	01-161406
6	Coupling, PVC 1/2" NPT BLK	01-201305
7	Coupling, Bronze 1 1/2 x 3/4	01-221306
8	Nipple, 3/4 Close, Bronze	01-291000
9	Nipple, 3/4 x 2, Bronze	01-291202
10	Nipple, 3/4 x 4, Bronze	01-291702
11	Fire Hose 1 1/2 x 1" NPT	01-401105
12	Hose Barb	01-411102
13	Hose Barb 3/4 x 3/4	01-411801
14	Neyco Connector	03-192520
15	Pressure Control, 3/4"	04-101720
16	Flow Switch	04-101930
17	Check Valve, Cast Brass	05-121210
18	Air Valve 1/8"	05-141000
19	1/4" Ball Valve, 1/4 N x 1/4 F	05-201210
20	Conduit, 5/16" Black Nylon	1032-25

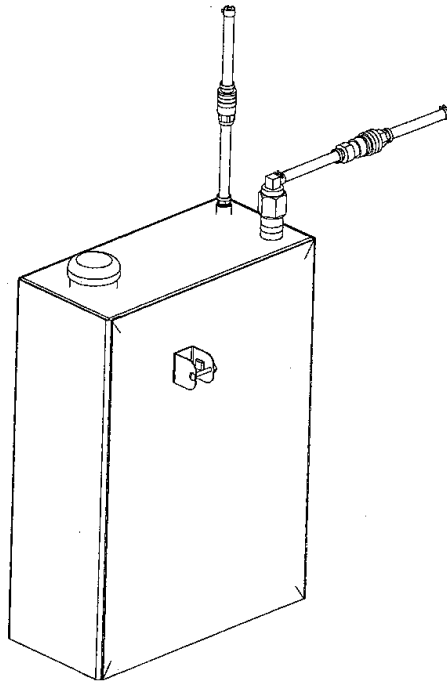
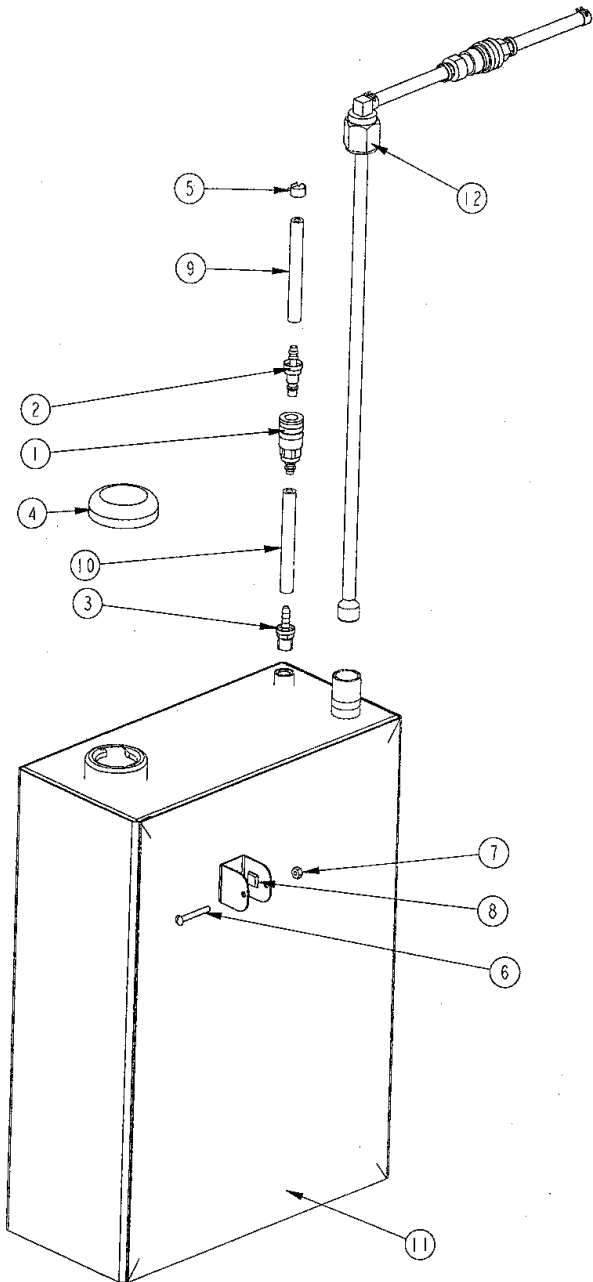


SIDE VIEW



**METAL FUEL TANK ASSEMBLY / SF12  
TV1 20 LITER FUEL TANK**

ITEM	PART DESCRIPTION	PART / DRAWER
1	Push Lok Hose Barb	01-410104
2	Push Lok Hose Barb Nipple	01-410105
3	Hose Barb	01-411111
4	Filler Cap, Vented	01-431000
5	Uni Clamp	01-451020
6	Screw	02-101770
7	Hex Nut	02-301004
8	Bumper	03-241102
9	Fuel Line	2202-24
10	Fuel Line	2202-9
11	Fuel Tank Weldment	BTV1-0205
12	Fuel Inlet Assembly	ETV1-0010-3



**WRENCH ASSEMBLY / SF12  
TVI MIX VALVE**

<b>ITEM</b>	<b>PART DESCRIPTION</b>	<b>PART / DRAWER</b>
1	Set Screw 8-32 x 5/16"	02-100507
2	Allen Wrench 5/64"	02-100508
3	Hose Barb	BTV1-0076-1

NOTE: NOT ALL PARTS ARE SHOWN ON THIS PAGE

